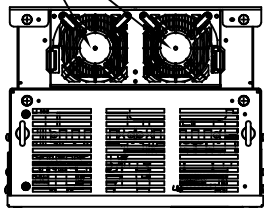
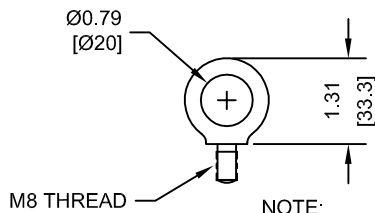


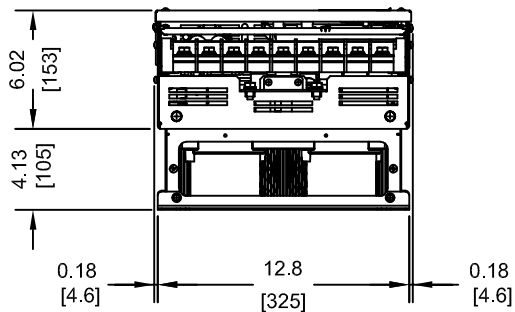
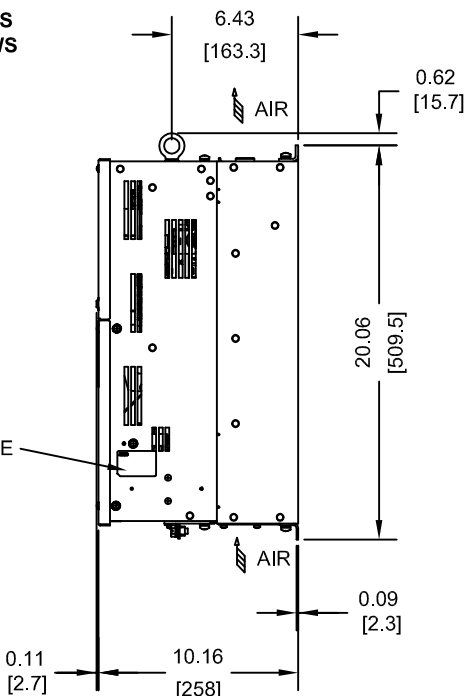
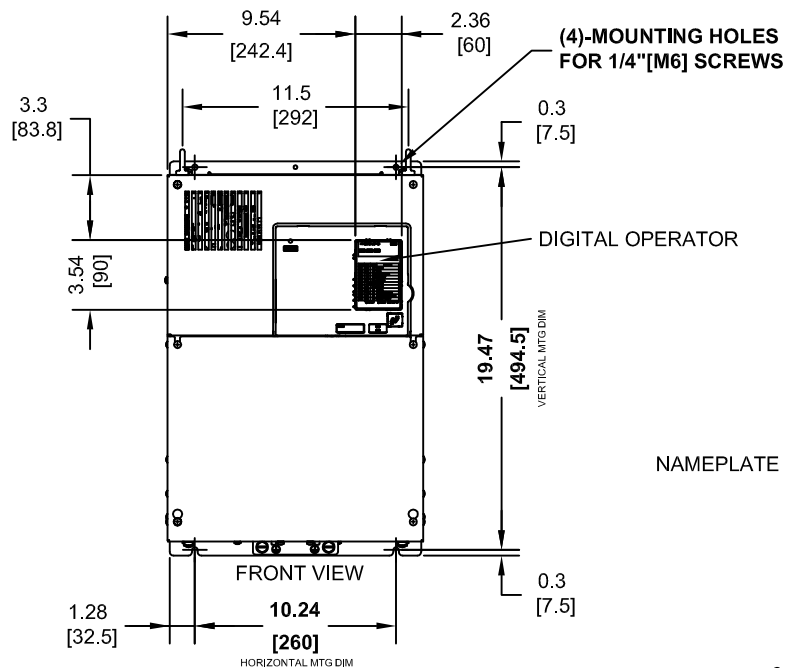
(2) EXTERNAL COOLING FANS



LIFTING AND EYEBOLT DETAILS



NOTE:  
SPREADER BAR REQUIRED TO AVOID DAMAGE DURING LIFTING



MODEL # CIMR-LE	VOLTAGE THREE-PHASE (VAC)	OUTPUT CURRENT (A) 3 MIN., 50% ED	WEIGHT LBS (Kg)	HEAT LOSS (W) Fc=8kHz		
				INT	EXT	TOT
4A0094DXX	380/480	93.8	79.2 (36)	254	563	817
4A0114DXX		113.8	79.2 (36)	299	723	1022

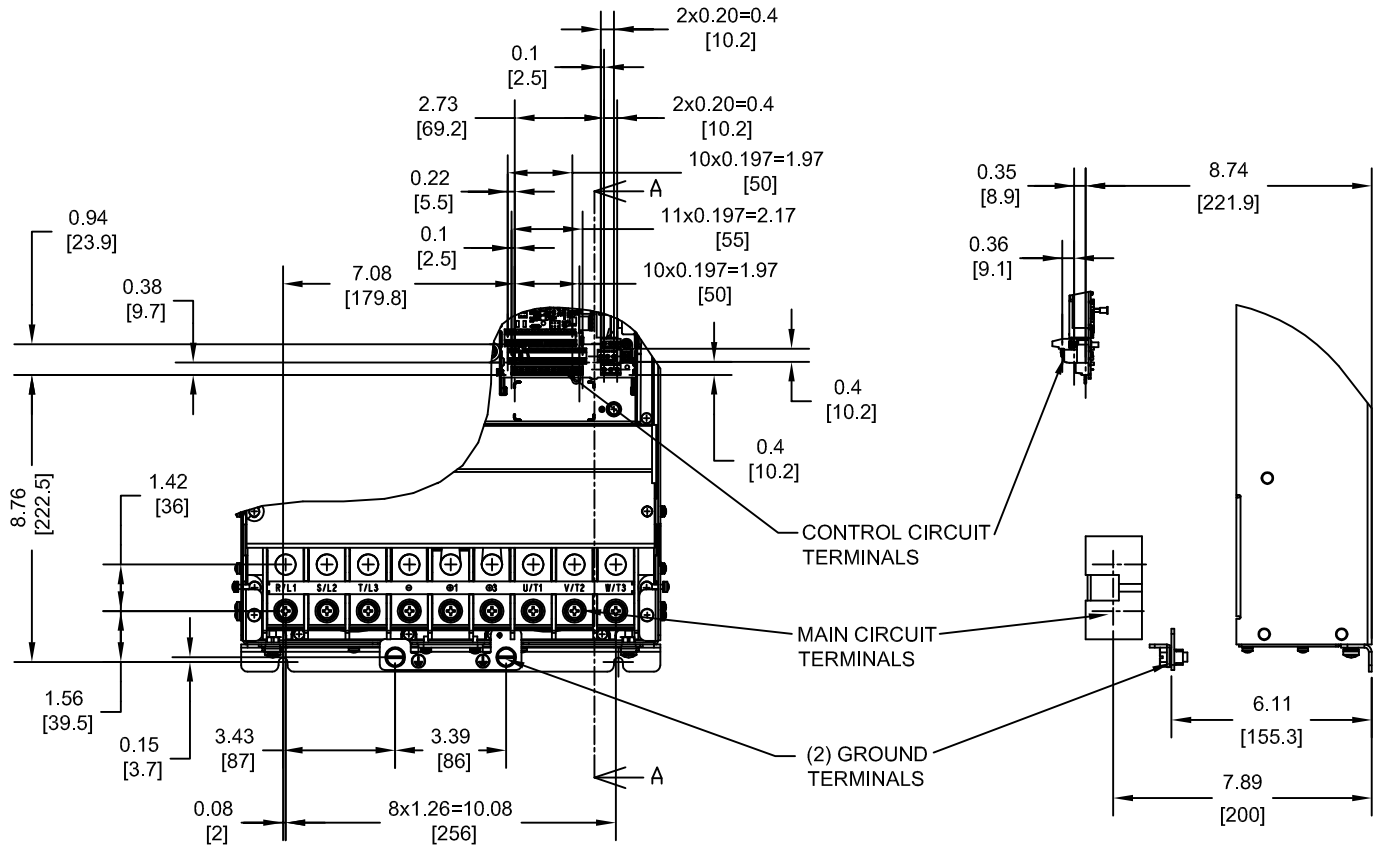
NOTE:  
XX DENOTES AA-ZZ

INT=INTERNAL COMPONENTS  
EXT=EXTERNAL HEATSINK  
TOT=TOTAL

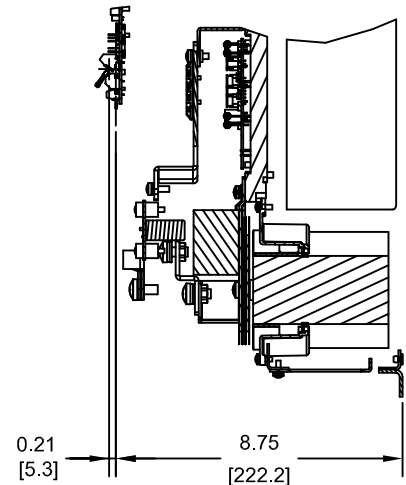
FOR ADDITIONAL DETAILS AND SPECIFICATIONS, CONSULT MANUAL

TOLERANCES / REFERENCES:			DRAWN: J. MATTAS DATE: 11-13-13	TITLE: L1000E DIMENSION DRAWING FRAME SIZE 9 IP00 ENCLOSURE 4A0094 & 4A0114
UNITS: IN [mm] SCALE: 1:10			CHECKED: J. PIOTROWSKI DATE: 11-24-13	TECH: L. UDDIN DATE: 12-2-13
THIS DOCUMENT AND INFORMATION CONTAINED IN IT ARE CONFIDENTIAL, AND CANNOT BE COPIED OR DISCLOSED IN WHOLE OR IN PART WITHOUT THE EXPRESS WRITTEN CONSENT OF YASKAWA AMERICA, INC.		APPROVED: J. CAIRO DATE: 12-21-13	ORIGINAL DESIGN: - DATE: -	SIZE: A REVISION: R00 PAGE: 1 of 3
		DRAWING #: DD.L1KE.FR9.IP00		

TERMINAL AND WIRING DETAILS (SCALE 1:6)



TERMINAL AND WIRE SPECIFICATIONS FOR MAIN CIRCUIT AND GROUND



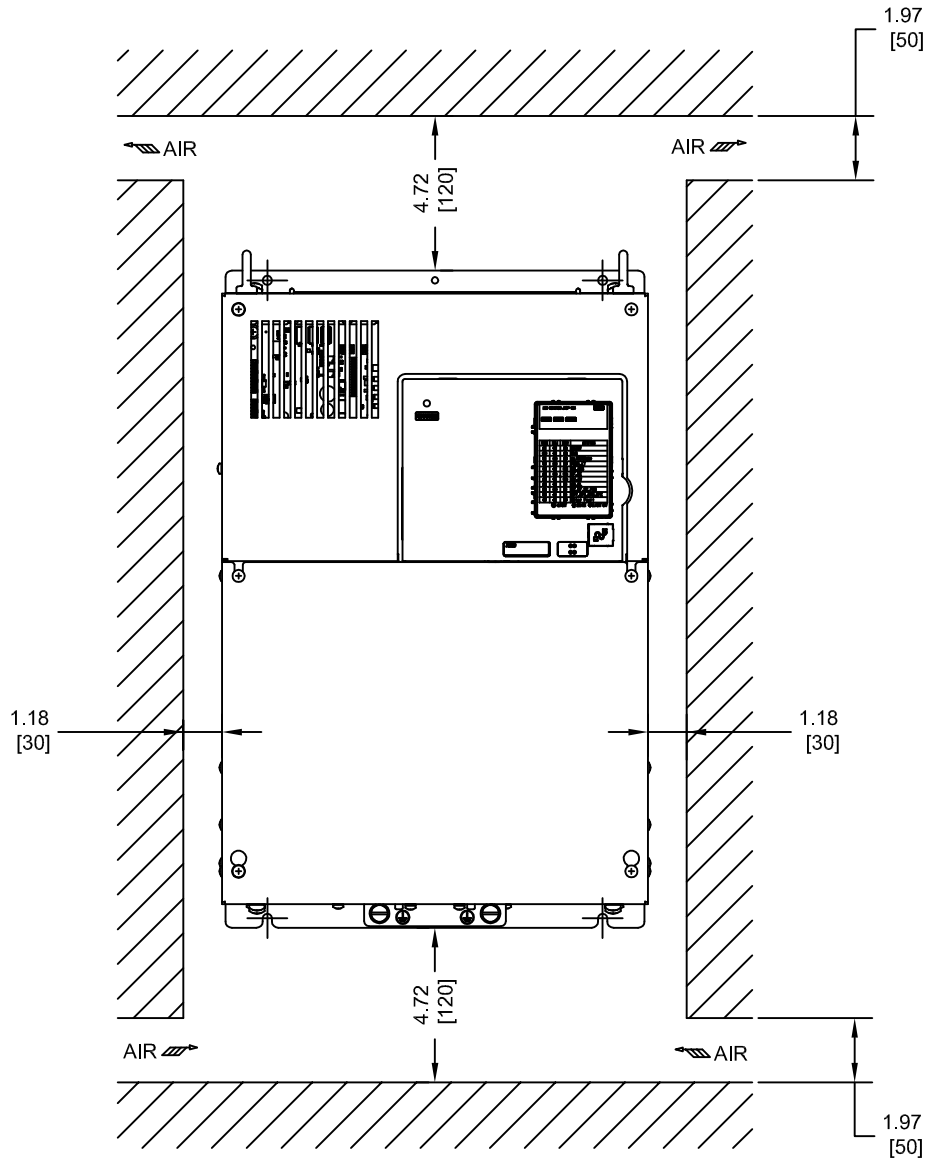
MODEL # CIMR-LE	TERMINAL SYMBOL	TERMINAL SCREW	CLAMPING TORQUE lb.in.(N.m.)	WIRE RANGE AWG(mm <sup>2</sup> )
4A0094 4A0114	R/L1, S/L2, T/L3	M8	79.7 TO 97.4 (9 TO 11)	6-250kcmil (13.3-127)
	U/T1, V/T2, W/T3			
	⊖, ⊕1, ⊕3			
	B1, B2			
	⊕	M8	79.7 TO 97.4 (9 TO 11)	SEE NOTE

NOTE: REFER TO APPLICABLE CODES FOR PROPER WIRE TYPE AND SIZE


FOR ADDITIONAL DETAILS AND SPECIFICATIONS, CONSULT MANUAL

TOLERANCES / REFERENCES:			DRAWN: J. MATTAS CHECKED: J. PIOTROWSKI TECH: L. UDDIN APPROVED: J. CAIRO ORIGINAL DESIGN: -	DATE: 11-13-13 DATE: 11-24-13 DATE: 12-2-13 DATE: 12-21-13 DATE: -	TITLE: L1000E DIMENSION DRAWING FRAME SIZE 9 IP00 ENCLOSURE 4A0094 & 4A0114
UNITS: IN [mm]	SCALE: BY VIEW		THIS DOCUMENT AND INFORMATION CONTAINED IN IT ARE CONFIDENTIAL, AND CANNOT BE COPIED OR DISCLOSED IN WHOLE OR IN PART WITHOUT THE EXPRESS WRITTEN CONSENT OF YASKAWA AMERICA, INC.	SIZE: A REVISION: R00 DRAWING #: DD.L1KE.FR9.IP00	PAGE: 2 of 3

MINIMUM INSTALLATION CLEARANCES (SCALE 1:6)



FOR ADDITIONAL DETAILS AND SPECIFICATIONS, CONSULT MANUAL

TOLERANCES / REFERENCES:		 THIS DOCUMENT AND INFORMATION CONTAINED IN IT ARE CONFIDENTIAL, AND CANNOT BE COPIED OR DISCLOSED IN WHOLE OR IN PART WITHOUT THE EXPRESS WRITTEN CONSENT OF YASKAWA AMERICA, INC.	DRAWN: <b>J. MATTAS</b>	DATE: 11-13-13	TITLE: L1000E DIMENSION DRAWING FRAME SIZE 9 IP00 ENCLOSURE 4A0094 & 4A0114	
			CHECKED: <b>J. PIOTROWSKI</b>	DATE: 11-24-13		
			TECH: <b>L. UDDIN</b>	DATE: 12-2-13		
			APPROVED: <b>J. CAIRO</b>	DATE: 12-21-13		
UNITS: IN [mm]	SCALE: BY VIEW	ORIGINAL DESIGN: -	DATE: -	SIZE: A	REVISION: R00	PAGE: 3 of 3
			DRAWING #: <b>DD.L1KE.FR9.IP00</b>			